



# E.E. URD

## Design and Manufacturing

### Vending Machine Gearmotors

E.E. URD Design and Manufacturing is your single source OEM/ODM solutions and service provider for factory direct China manufacturing and outsourcing. Our experienced product design and manufacturing professionals are focused on reducing your overhead and increasing your productivity. We offer design to delivery services for the following products:

- Current Sensors
- Electronic/PCB Assembly
- Membrane Key Switches
- Silicone Rubber Keypads
- PFC Power Supplies
- Power Supplies: Wallmount/Desktop
- LCD Modules
- Tooling, Injection Moulding, & Plastic Assemblies
- Tooling Metal Fabrication
- Wire and Cable Assemblies
- Vending Machine Gearmotors



### Vending Machine Gearmotors

Vending machines are found all over the world, dispensing products from simple sodas and snacks to household goods and electronics. Recognizing the need for high-quality, competitively priced gearmotors, E.E. URD has designed and tooled fully customizable gearmotors in both 12V and 24V models for the vending machine industry.

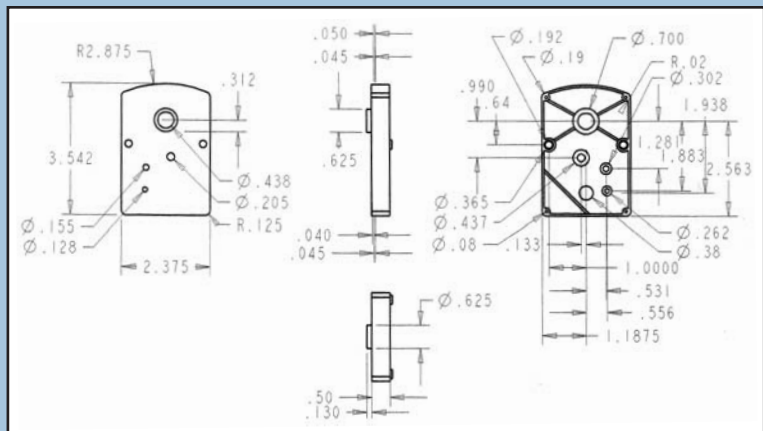
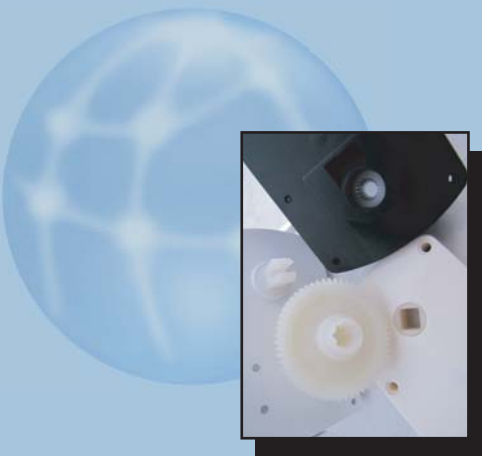
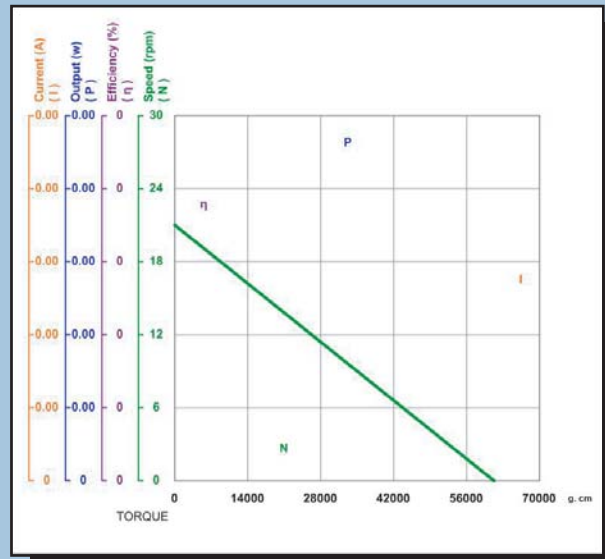
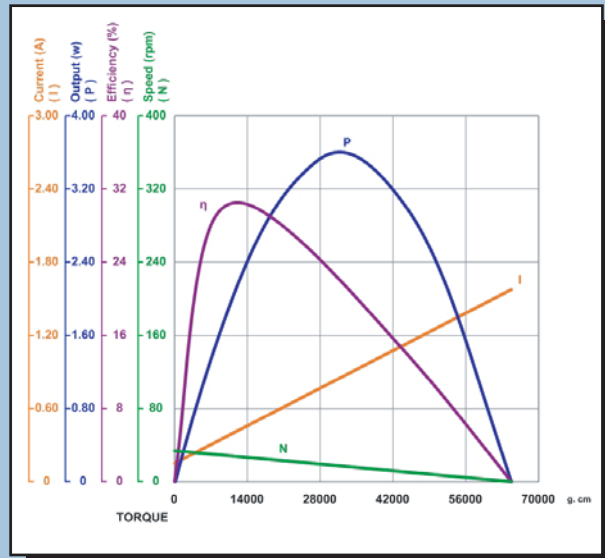
#### FEATURES

- High-quality, rugged, ABS 94V0 housing,
- Precision manufactured plastics and DC motors,
- PCB and Microswitch integrated within a protective dust proof cover,
- Gear ratio of 1:420 fixed, customizable
- Silent unbreakable Nylon 66 gear assembly for a long maintenance free life,
- Customization available for electrical terminations, adapters, output shaft type and material, through-hole patterns, and cover assemblies,
- Standard shaft coupling for 6.5mm x 6.5mm square pattern, 9mm star pattern and custom patterns available,
- 3A - 250VAC / 5A - 125VAC Microswitch,
- Reversible motor direction,
- Gearmotors applicable for vending, agricultural, office equipment, communications, document handling equipment, healthcare, industrial controls, instrumentation and medical equipment.



# Technical Specifications

<u>E.E. URD</u>	<u>12V 1:420</u>	<u>24V 1:420</u>
Voltage:	12 VDC	24 VDC
Rotation Direction:	CW	CW
Rated Load:	8000 g. cm	8000 g. cm
At No Load:		
Speed:	21 rpm	21 rpm
Current:	0.150 A	0.070 A
At Stall (Extrapolated):		
Toque:	62000 g. cm	64000 g. cm
Current:	2.500 A	1.250 A
At Maximum Efficiency:		
Efficiency:	23.49%	24.58%
Torque:	12198.8 g. cm	12247.0 g. cm
Speed:	17 rpm	17 rpm
Current:	0.612 A	0.296 A
Output:	1.73 W	1.75 W
At Maximum Power:		
Efficiency:	17.18%	17.80%
Torque:	31000 g. cm	32000 g. cm
Speed:	11 rpm	11 rpm
Current:	1.325 A	0.660 A
Output:	2.73 W	2.82 W



**E.E. URD**  
Design and Manufacturing

P.O. Box 6006  
Laguna Niguel, CA 92607  
info@eurd.com

Laguna Niguel Office    Murrieta Office  
P 949.831.0111            P 951.304.3849  
F 949.831.6371            F 951.304.3857

[www.eurd.com](http://www.eurd.com)